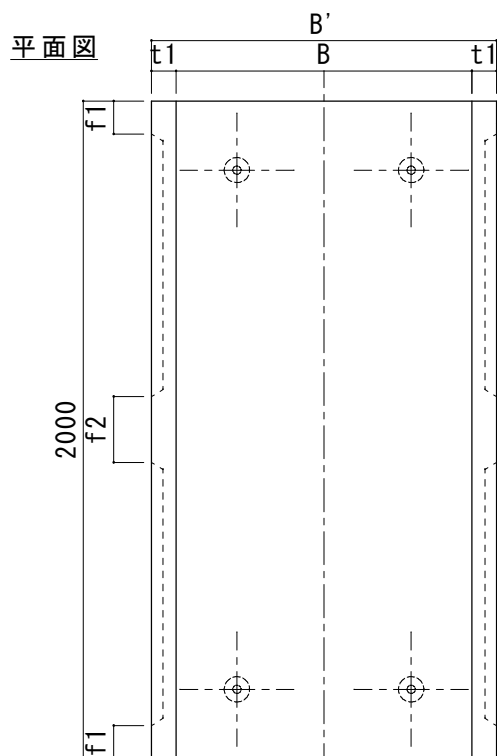
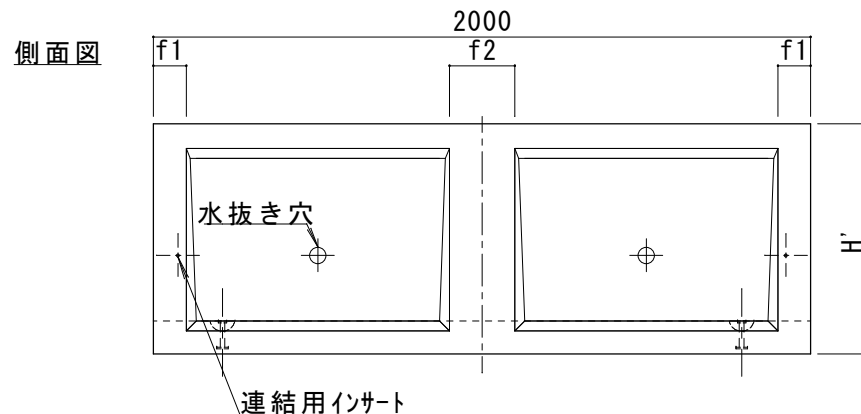
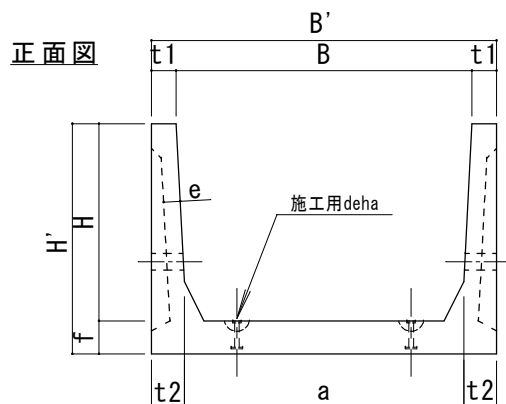


製品図



| 呼び名 (mm) |        | 寸 法 (mm) |      |     |     |    |    |     |     |     |      | 参考重量 (kg) |
|----------|--------|----------|------|-----|-----|----|----|-----|-----|-----|------|-----------|
| B (内幅)   | H (内高) | a        | B'   | H'  | f   | e  | t1 | t2  | f1  | f2  |      |           |
| 600      | 600    | 550      | 750  | 700 | 100 | 50 | 75 | 100 | 100 | 200 | 660  |           |
| 700      |        | 650      | 850  |     |     |    |    |     |     |     | 710  |           |
| 800      |        | 750      | 950  |     |     |    |    |     |     |     | 760  |           |
| 900      |        | 850      | 1050 |     |     |    |    |     |     |     | 810  |           |
| 1000     |        | 950      | 1150 |     |     |    |    |     |     |     | 860  |           |
| 1100     |        | 1050     | 1250 |     |     |    |    |     |     |     | 910  |           |
| 1200     |        | 1150     | 1350 |     |     |    |    |     |     |     | 960  |           |
| 1300     |        | 1250     | 1450 |     |     |    |    |     |     |     | 1010 |           |
| 1400     |        | 1350     | 1550 |     |     |    |    |     |     |     | 1060 |           |
| 1500     |        | 1450     | 1650 |     |     |    |    |     |     |     | 1110 |           |
| 600      | 700    | 530      | 750  | 785 | 85  | 60 | 75 | 110 | 100 | 200 | 820  |           |
| 700      |        | 630      | 850  |     |     |    |    |     |     |     | 860  |           |
| 800      |        | 730      | 950  |     |     |    |    |     |     |     | 900  |           |
| 900      |        | 830      | 1050 |     |     |    |    |     |     |     | 940  |           |
| 1000     |        | 930      | 1150 |     |     |    |    |     |     |     | 980  |           |
| 1100     |        | 1030     | 1250 |     |     |    |    |     |     |     | 1020 |           |
| 1200     |        | 1130     | 1350 |     |     |    |    |     |     |     | 1060 |           |
| 1300     |        | 1230     | 1450 |     |     |    |    |     |     |     | 1100 |           |
| 1400     |        | 1330     | 1550 |     |     |    |    |     |     |     | 1140 |           |
| 1500     |        | 1430     | 1650 |     |     |    |    |     |     |     | 1180 |           |
| 600      | 800    | 500      | 750  | 900 | 100 | 60 | 75 | 125 | 100 | 200 | 900  |           |
| 700      |        | 600      | 850  |     |     |    |    |     |     |     | 950  |           |
| 800      |        | 700      | 950  |     |     |    |    |     |     |     | 1000 |           |
| 900      |        | 800      | 1050 |     |     |    |    |     |     |     | 1050 |           |
| 1000     |        | 900      | 1150 |     |     |    |    |     |     |     | 1100 |           |
| 1100     |        | 1000     | 1250 |     |     |    |    |     |     |     | 1150 |           |
| 1200     |        | 1100     | 1350 |     |     |    |    |     |     |     | 1200 |           |
| 1300     |        | 1200     | 1450 |     |     |    |    |     |     |     | 1250 |           |
| 1400     |        | 1300     | 1550 |     |     |    |    |     |     |     | 1300 |           |
| 1500     |        | 1400     | 1650 |     |     |    |    |     |     |     | 1350 |           |

花沢建材工業株式会社

TEL 0479-86-3741 FAX 0479-86-5500

図 名 三面水路 H600~H800 一覧表

縮 尺 1/20

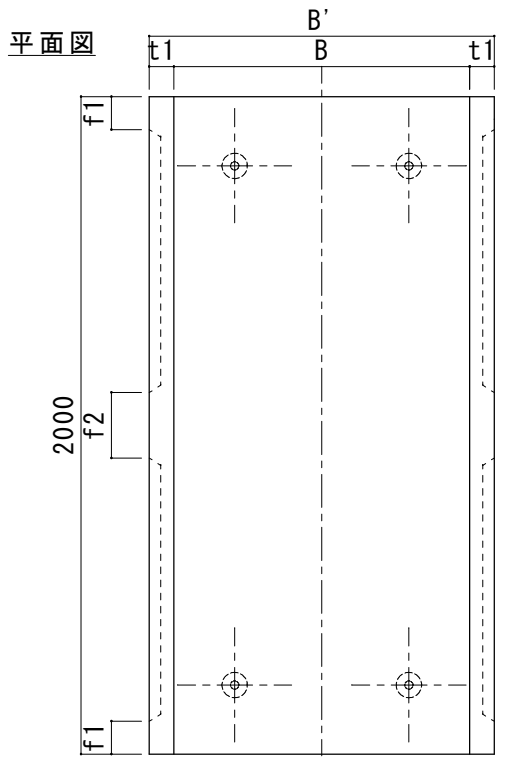
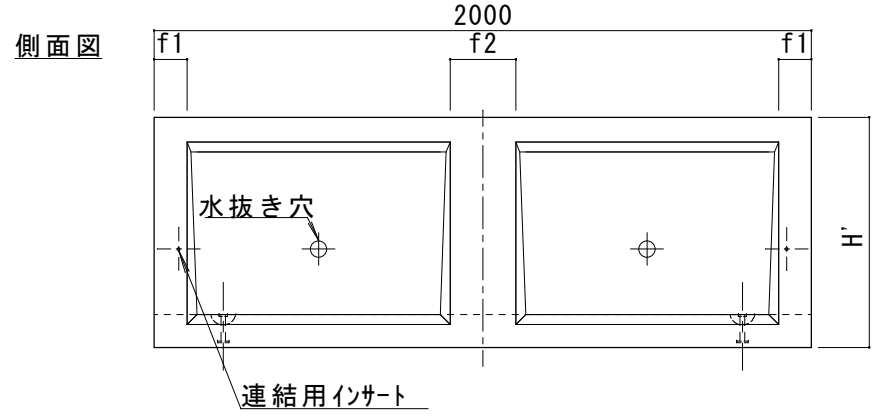
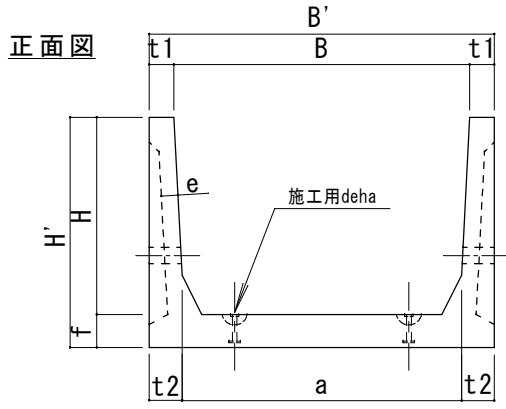
図面No.

2802-2015

製 図

柿岡

製品図



| 呼び名 (mm) | 寸法 (mm) |        |      |     |    |     |     |     |     |    | 参考重量 (kg) |      |
|----------|---------|--------|------|-----|----|-----|-----|-----|-----|----|-----------|------|
|          | B (内幅)  | H (内高) | a    | B'  | H' | f   | e   | t1  | t2  | f1 |           | f2   |
| 600      | 500     | 750    |      |     |    |     |     |     |     |    |           | 950  |
| 700      | 600     | 850    |      |     |    |     |     |     |     |    |           | 1000 |
| 800      | 700     | 950    |      |     |    |     |     |     |     |    |           | 1050 |
| 900      | 800     | 1050   |      |     |    |     |     |     |     |    |           | 1100 |
| 1000     | 900     | 1150   |      |     |    |     |     |     |     |    |           | 1150 |
| 1100     | 1000    | 1250   |      |     |    |     |     |     |     |    |           | 1200 |
| 1200     | 1100    | 1350   |      |     |    |     |     |     |     |    |           | 1250 |
| 1300     | 1200    | 1450   | 1000 | 100 | 50 | 75  | 125 | 100 | 200 |    |           | 1300 |
| 1400     | 1300    | 1550   |      |     |    |     |     |     |     |    |           | 1350 |
| 1500     | 1400    | 1650   |      |     |    |     |     |     |     |    |           | 1400 |
| 1600     | 1500    | 1750   |      |     |    |     |     |     |     |    |           | 1450 |
| 1700     | 1600    | 1850   |      |     |    |     |     |     |     |    |           | 1500 |
| 1800     | 1700    | 1950   |      |     |    |     |     |     |     |    |           | 1550 |
| 1900     | 1800    | 2050   |      |     |    |     |     |     |     |    |           | 1600 |
| 2000     | 1900    | 2150   |      |     |    |     |     |     |     |    |           | 1650 |
| 600      | 500     | 750    |      |     |    |     |     |     |     |    |           | 1100 |
| 700      | 600     | 850    |      |     |    |     |     |     |     |    |           | 1150 |
| 800      | 700     | 950    |      |     |    |     |     |     |     |    |           | 1200 |
| 900      | 800     | 1050   |      |     |    |     |     |     |     |    |           | 1250 |
| 1000     | 900     | 1150   |      |     |    |     |     |     |     |    |           | 1300 |
| 1100     | 1000    | 1250   |      |     |    |     |     |     |     |    |           | 1350 |
| 1200     | 1100    | 1350   |      |     |    |     |     |     |     |    |           | 1400 |
| 1300     | 1200    | 1450   | 1100 | 100 | 60 | 75  | 125 | 100 | 200 |    |           | 1450 |
| 1400     | 1300    | 1550   |      |     |    |     |     |     |     |    |           | 1500 |
| 1500     | 1400    | 1650   |      |     |    |     |     |     |     |    |           | 1550 |
| 1600     | 1500    | 1750   |      |     |    |     |     |     |     |    |           | 1600 |
| 1700     | 1600    | 1850   |      |     |    |     |     |     |     |    |           | 1650 |
| 1800     | 1700    | 1950   |      |     |    |     |     |     |     |    |           | 1700 |
| 1900     | 1800    | 2050   |      |     |    |     |     |     |     |    |           | 1750 |
| 2000     | 1900    | 2150   |      |     |    |     |     |     |     |    |           | 1800 |
| 600      | 450     | 850    |      |     |    |     |     |     |     |    |           | 1550 |
| 700      | 550     | 950    |      |     |    |     |     |     |     |    |           | 1610 |
| 800      | 650     | 1050   |      |     |    |     |     |     |     |    |           | 1670 |
| 900      | 750     | 1150   |      |     |    |     |     |     |     |    |           | 1730 |
| 1000     | 850     | 1250   |      |     |    |     |     |     |     |    |           | 1790 |
| 1100     | 950     | 1350   | 1325 | 125 | 60 | 125 | 200 | 120 | 240 |    |           | 1850 |
| 1200     | 1050    | 1450   |      |     |    |     |     |     |     |    |           | 1910 |
| 1300     | 1150    | 1550   |      |     |    |     |     |     |     |    |           | 1970 |
| 1400     | 1250    | 1650   |      |     |    |     |     |     |     |    |           | 2030 |
| 1500     | 1350    | 1750   |      |     |    |     |     |     |     |    |           | 2090 |

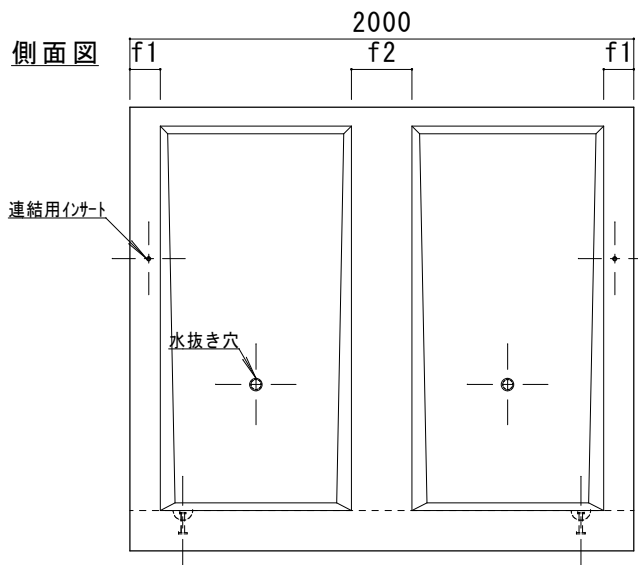
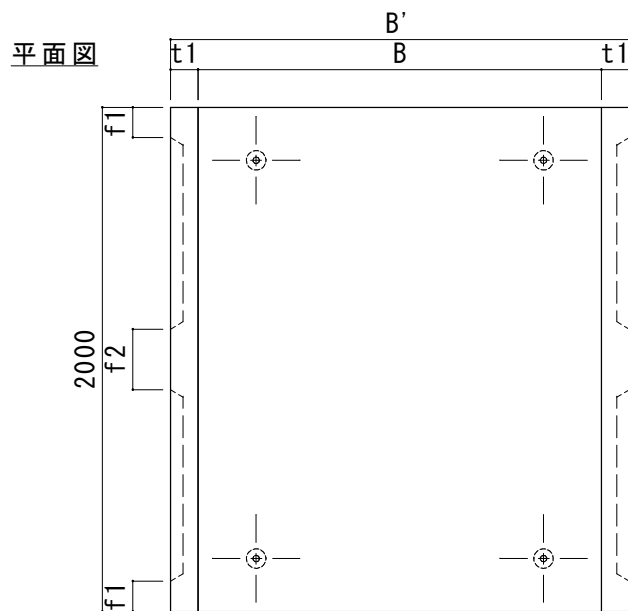
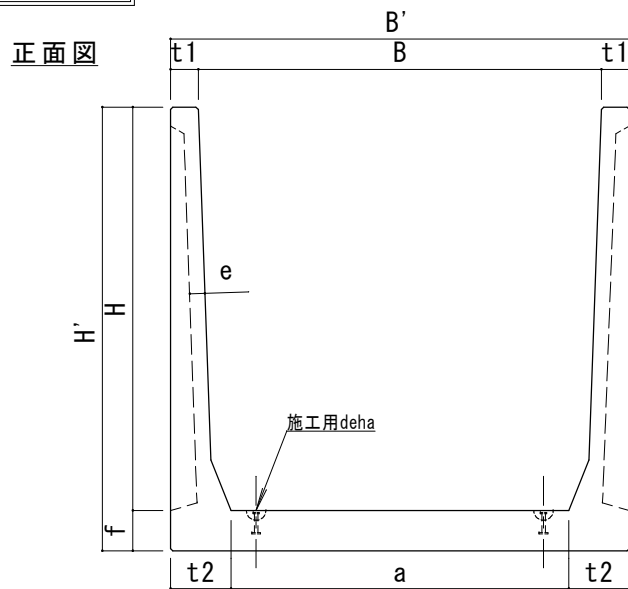
花沢建材工業株式会社

TEL 0479-86-3741 FAX 0479-86-5500

図名 三面水路 H900~H1200 一覧表 ①

縮尺 1/20 図面No. 0203-2015 製図 柿岡

製品図



| 呼び名 (mm)  |           | 寸法 (mm) |      |      |     |    |     |     |     |     |      | 参考重量 (kg) |
|-----------|-----------|---------|------|------|-----|----|-----|-----|-----|-----|------|-----------|
| B<br>(内幅) | H<br>(内高) | a       | B'   | H'   | f   | e  | t1  | t2  | f1  | f2  |      |           |
| 1600      | 1200      | 1450    | 1850 | 1325 | 125 | 60 | 125 | 200 | 120 | 240 | 2150 |           |
| 1700      |           | 1550    | 1950 |      |     |    |     |     |     |     | 2210 |           |
| 1800      |           | 1650    | 2050 |      |     |    |     |     |     |     | 2270 |           |
| 1900      |           | 1750    | 2150 |      |     |    |     |     |     |     | 2330 |           |
| 2000      |           | 1850    | 2250 |      |     |    |     |     |     |     | 2390 |           |
| 2100      |           | 1950    | 2350 |      |     |    |     |     |     |     | 2450 |           |
| 2200      |           | 2050    | 2450 |      |     |    |     |     |     |     | 2510 |           |
| 2300      |           | 2150    | 2550 |      |     |    |     |     |     |     | 2570 |           |
| 2400      |           | 2250    | 2650 |      |     |    |     |     |     |     | 2630 |           |
| 2500      |           | 2350    | 2750 |      |     |    |     |     |     |     | 2690 |           |
| 1200      | 1500      | 1100    | 1420 | 1640 | 140 | 60 | 110 | 160 | 120 | 240 | 2220 |           |
| 1300      |           | 1200    | 1520 |      |     |    |     |     |     |     | 2290 |           |
| 1400      |           | 1300    | 1620 |      |     |    |     |     |     |     | 2360 |           |
| 1500      |           | 1400    | 1720 |      |     |    |     |     |     |     | 2430 |           |
| 1600      |           | 1500    | 1820 |      |     |    |     |     |     |     | 2500 |           |
| 1700      |           | 1600    | 1920 |      |     |    |     |     |     |     | 2570 |           |
| 1800      |           | 1700    | 2020 |      |     |    |     |     |     |     | 2640 |           |
| 1900      |           | 1800    | 2120 |      |     |    |     |     |     |     | 2710 |           |
| 2000      |           | 1900    | 2220 |      |     |    |     |     |     |     | 2780 |           |
| 2100      |           | 2000    | 2320 |      |     |    |     |     |     |     | 2850 |           |
| 2200      | 2100      | 2420    | 2920 |      |     |    |     |     |     |     |      |           |
| 2300      | 2200      | 2520    | 2990 |      |     |    |     |     |     |     |      |           |
| 2400      | 2300      | 2620    | 3060 |      |     |    |     |     |     |     |      |           |
| 2500      | 2400      | 2720    | 3130 |      |     |    |     |     |     |     |      |           |
| 1200      | 1600      | 1100    | 1420 | 1760 | 160 | 60 | 110 | 160 | 120 | 240 | 2380 |           |
| 1300      |           | 1200    | 1520 |      |     |    |     |     |     |     | 2450 |           |
| 1400      |           | 1300    | 1620 |      |     |    |     |     |     |     | 2520 |           |
| 1500      |           | 1400    | 1720 |      |     |    |     |     |     |     | 2590 |           |
| 1600      |           | 1500    | 1820 |      |     |    |     |     |     |     | 2760 |           |
| 1700      |           | 1600    | 1920 |      |     |    |     |     |     |     | 2840 |           |
| 1800      |           | 1700    | 2020 |      |     |    |     |     |     |     | 2920 |           |
| 1900      |           | 1800    | 2120 |      |     |    |     |     |     |     | 3000 |           |
| 2000      |           | 1900    | 2220 |      |     |    |     |     |     |     | 3080 |           |
| 2100      |           | 2000    | 2320 |      |     |    |     |     |     |     | 3160 |           |
| 2200      | 2100      | 2420    | 3220 |      |     |    |     |     |     |     |      |           |
| 2300      | 2200      | 2520    | 3300 |      |     |    |     |     |     |     |      |           |
| 2400      | 2300      | 2620    | 3380 |      |     |    |     |     |     |     |      |           |
| 2500      | 2400      | 2720    | 3460 |      |     |    |     |     |     |     |      |           |

花沢建材工業株式会社

TEL 0479-86-3741 FAX 0479-86-5500

図名 三面水路 H1200~H1600 一覧表 ②

縮尺 1/20

図面No.

0203-2015

製図

柿岡