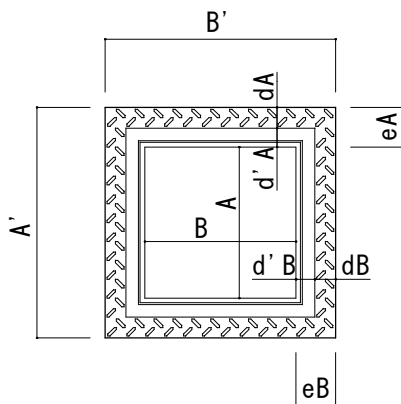
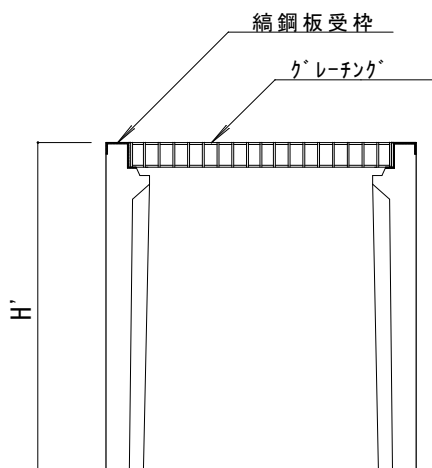
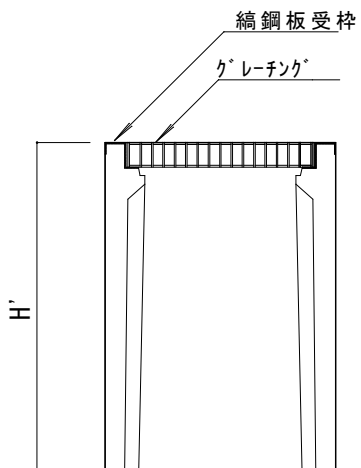
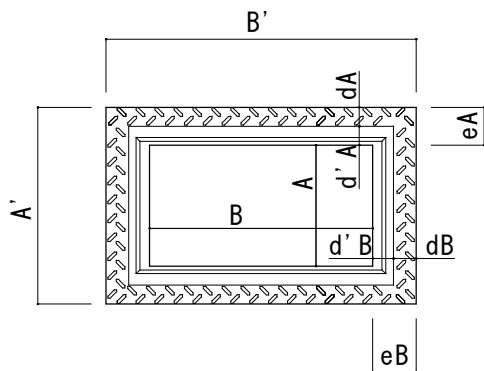


製品図

正方形型



長方形型



| | | |
|----------|-------------|-------|
| 対応受枠 | 110°オープン | ボルト固定 |
| 対応グレーチング | T-25 普通目/細目 | |

| 製品名称 | | | 製品寸法 (mm) | | | | | | | | | | 参考kg | 側溝対応サイズ | |
|------|------|------|-----------|-----|-----|-----|------|-----|-----|----|----|-----|------|---------|-----------|
| | | | A | A' | B | B' | H' | eA | eB | dA | dB | dA' | | | dB' |
| 250x | 250x | S | 250 | 460 | 250 | 460 | 450 | 105 | 105 | 45 | 45 | 60 | 60 | 106 | |
| | | A | | | | | 550 | | | | | | | 130 | |
| | | B | | | | | 700 | | | | | | | 161 | |
| | | C | | | | | 800 | | | | | | | 181 | |
| | | D | | | | | 900 | | | | | | | 232 | |
| | | E | | | | | 1100 | | | | | | | 277 | |
| 300x | 300x | 600 | 300 | 500 | 300 | 500 | 660 | 100 | 100 | 50 | 50 | 50 | 50 | 196 | 300-400 |
| | | 800 | | | | | 860 | | | | | | | 245 | 500-600 |
| | | 1000 | | | | | 1060 | | | | | | | 293 | 700-800 |
| | | 1200 | | | | | 1260 | | | | | | | 353 | 900-1000 |
| | | 1400 | | | | | 1460 | | | | | | | 400 | 1100-1200 |
| 400x | 400x | 600 | 400 | 610 | 400 | 610 | 665 | 105 | 105 | 55 | 55 | 50 | 50 | 250 | 400 |
| | | 800 | | | | | 865 | | | | | | | 312 | 500-600 |
| | | 1000 | | | | | 1065 | | | | | | | 371 | 700-800 |
| | | 1200 | | | | | 1265 | | | | | | | 445 | 900-1000 |
| | | 1500 | | | | | 1565 | | | | | | | 535 | 1100-1300 |
| 500x | 500x | 800 | 500 | 720 | 500 | 720 | 875 | 110 | 110 | 55 | 55 | 55 | 55 | 405 | 500-600 |
| | | 1000 | | | | | 1075 | | | | | | | 484 | 700-800 |
| | | 1200 | | | | | 1275 | | | | | | | 556 | 900-1000 |
| | | 1400 | | | | | 1475 | | | | | | | 628 | 1100-1200 |
| | | 1700 | | | | | 1775 | | | | | | | 733 | 1300-1500 |
| 600x | 600x | 800 | 600 | 830 | 600 | 830 | 885 | 115 | 115 | 60 | 60 | 55 | 55 | 491 | 400-600 |
| | | 1000 | | | | | 1085 | | | | | | | 583 | 700-800 |
| | | 1200 | | | | | 1285 | | | | | | | 669 | 900-1000 |
| | | 1400 | | | | | 1485 | | | | | | | 755 | 1100-1200 |
| | | 1600 | | | | | 1685 | | | | | | | 850 | 1300-1400 |
| | | 1800 | | | | | 1885 | | | | | | | 932 | 1500-1600 |
| 300x | 600x | 600 | 300 | 500 | 600 | 830 | 660 | 100 | 115 | 50 | 60 | 50 | 55 | 247 | 300-400 |
| | | 800 | | | | | 860 | | | | | | | 304 | 500-600 |
| | | 1000 | | | | | 1060 | | | | | | | 360 | 700-800 |

花沢建材工業株式会社

TEL 0479-86-3741 FAX 0479-86-5500

図名 VS柵 一覧表

縮尺 1/20

図面No.

2102-2024

製図

小安